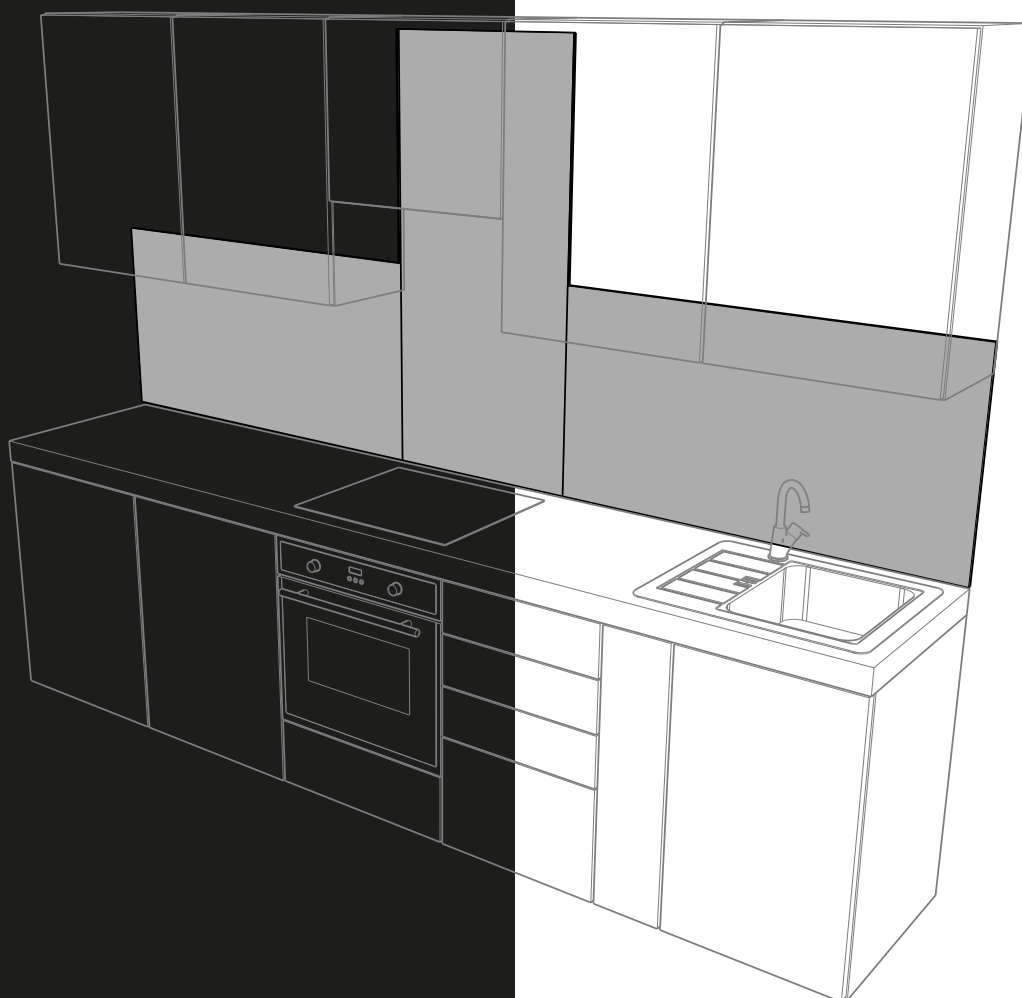


Wall system

assembly and use manual

Melaco

**DESIGN
SOLUTIONS**



Patented 2G® click connection technology
licensed by Valinge Innovation AB

MELACO sp. z o.o.
Ciepielowska 9,
67-100 Nowa Sól, Poland

headquarters: +48 68 38 792 08
sales: +48 68 38 723 94

more info:

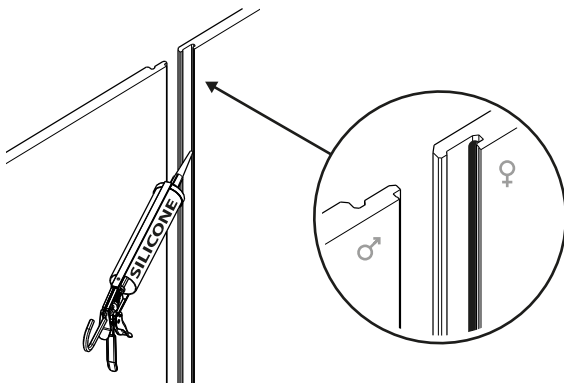
www.melaco.com.pl

www.flickandclick.eu

melaco@melaco.com.pl

PRODUCT AND ASSEMBLY INFORMATION

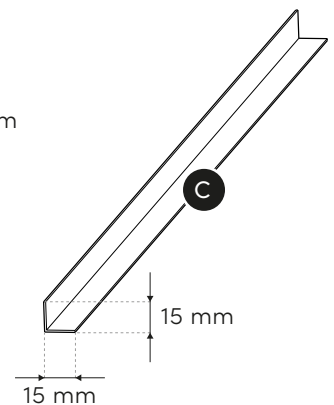
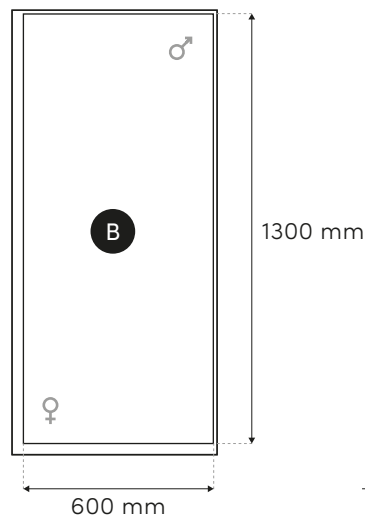
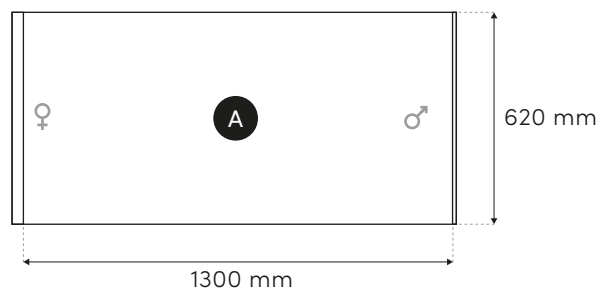
- 1 Design Solutions™ 4_kitchen decorative panels can be mounted on glue or on a frame.
- 2 Panels with dimensions of 1300x620 mm (length x height) are intended for horizontal installation in the kitchen in the so-called inter-cabinet niche (A).
- 3 Panels with dimensions of 600x1300 mm (length x height) are intended for installation in a recess under the kitchen hood (B - option).
- 4 Installation should be performed by a person with basic technical and safety knowledge.
- 5 After unpacking, check each panel for damage (scratches, mechanical damage, colour differences).
- 6 Before installation, the panels should be left in the room where they are to be installed for 24 hours in order to equalize the temperature and humidity.
- 7 Special finishing strips are used to finish the panels.
- 8 Due to the possibility of increased humidity and fogging, transparent silicone should be used to seal the click joint. A strip of silicone, approx. 1-2 mm thick, should be applied to the profile on the 'female' side of the panel:



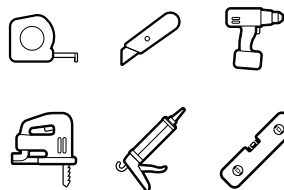
- 9 All edges that have been cut or punched should be protected with silicone.
- 10 The panels cannot be installed in rooms such as bathrooms or other places with direct contact with water.
- 11 The product may only be used indoors.
- 12 The product can be recycled.
- 13 Failure to follow the instructions may result in the loss of the product warranty.

SET ELEMENTS

- A Decorative panel for an inter-cabinet niche
- B Decorative panel for the kitchen hood
- C Aluminum end profile



REQUIRED TOOLS



ADDITIONAL INFORMATION

Hanging on panels:

- ▶ The panel should not be additionally loaded and cannot fulfill structural functions.
- ▶ Do not directly screw shelves, hangers or other objects to the panel.
- ▶ It is only possible to fix it on the ground under the panel with appropriate screws or dowels designed for a given type of surface. To do this, drill a suitable hole in the panel.

Cleaning:

- ▶ Do not leave dirt to dry.
- ▶ Clean with a soft microfiber cloth and a solution of mild detergent diluted with water.
- ▶ Do not use scouring agents, caustic agents, alcohol or solvents for cleaning.
- ▶ Do not leave cleaning agents on the surface, rinse immediately with water. Leaving the cleaning agents on the surface may cause discolouration.

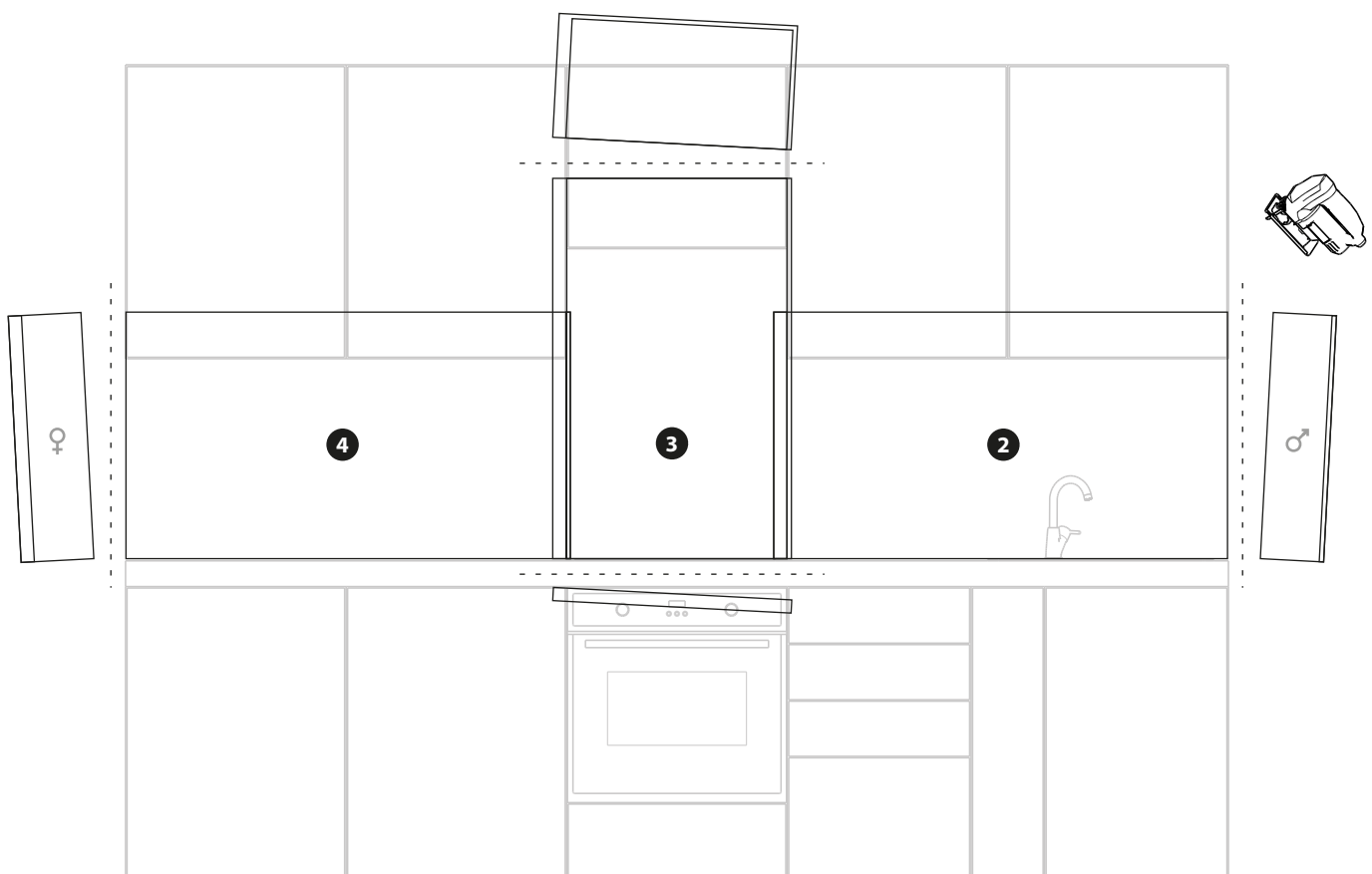
PREPARATION OF CUT PANELS

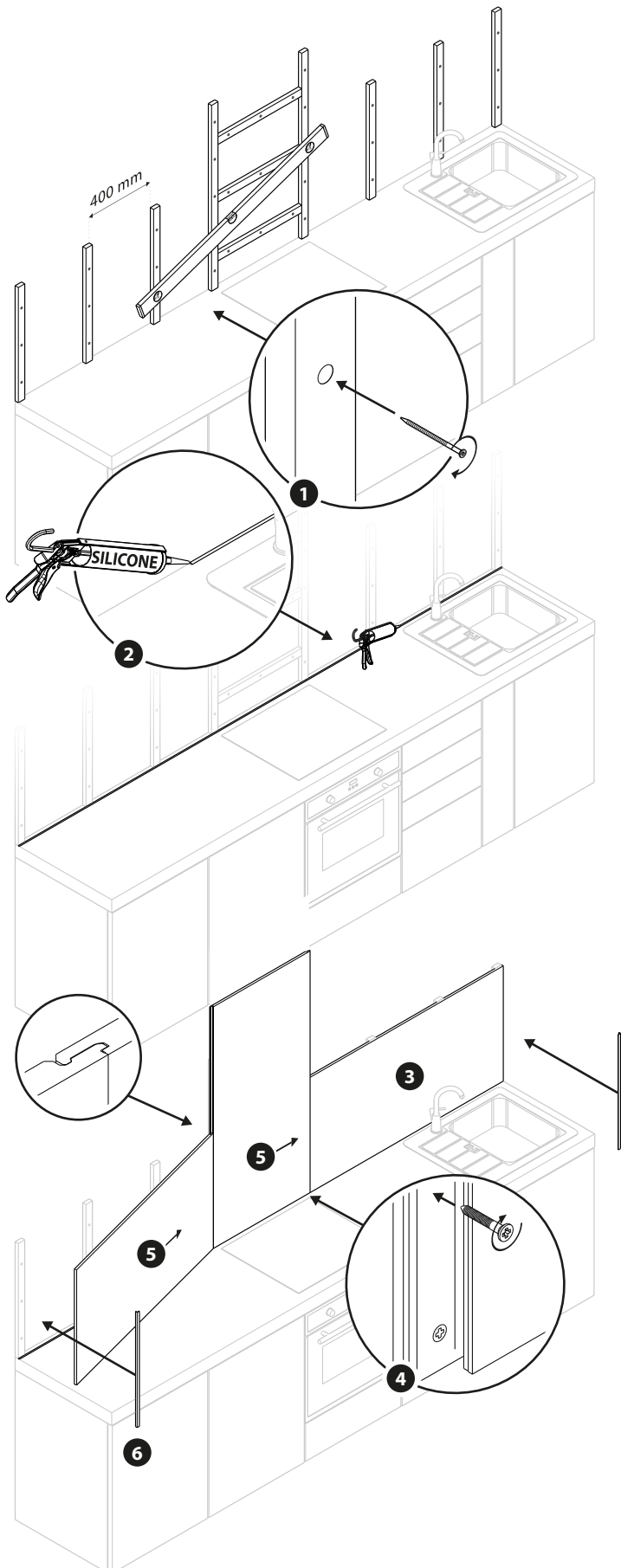
We use a handsaw, jigsaw or circular saw to cut decorative panels.

Attention!

All edges that have been cut or punched should be protected with silicone.

- 1 Carefully measure and plan the arrangement of individual panels in the kitchen niche, paying attention to joining the panels using the 'click' method.
- 2 Cut off the right part of the first panel - the 'male' profile.
- 3 Cut the upper part of the panel to be installed under the cooker hood and the lower female joint to the required length.
- 4 Cut off the left side of the next panel - the 'female' profile.

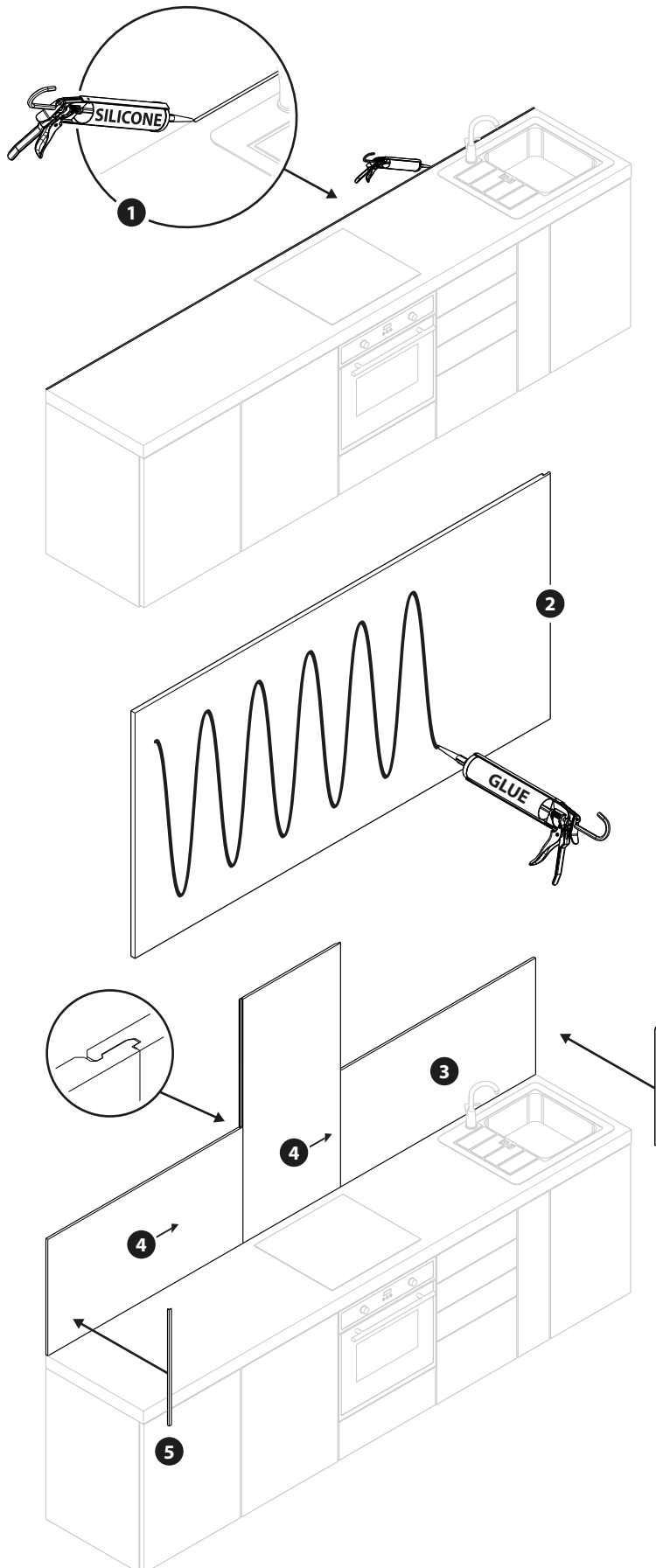




MOUNTING PANELS ON A FRAME

We start installing the panels after completing the installation of the lower row of kitchen cabinets and the worktop.

- 1 The frame should be made of dry, knot-free wooden battens attached directly to the wall. The frame should be securely attached to the ground, the battens should be aligned using a spirit level to form a plane. The distance between the battens is 40 cm. For panels with dimensions of 300x620 mm (length x height) intended for horizontal installation in the kitchen in the so-called inter-cabinet niche the batten must be positioned horizontally. We install the panels on the grate after 24 hours in order to ensure equalization of humidity and temperature.
- 2 Apply a 2-3 mm layer of silicone where the decorative panels meet the kitchen worktop.
- 3 We put the first panel in its final position.
- 4 Screw the panel to the frame with screws using a specially marked groove. The screw should hide so that it does not get caught when inserting another panel. Use 3x30 mm countersunk head screws.
- 5 Add the next panels to the preceding one, which is facing the 'female' side, paying attention to the 'click' connection method, and screw it to the frame.
- 6 If the finishing aluminum profile is used, it should be pressed under the cut edge of the panel, after securing the edge of the panel with transparent silicone.
- 7 After completing the assembly of the panels, fill in the silicone at the joint with the top, and then even out and remove excess silicone from the surface of the panels and the top. Clean and leave to dry for 24 hours.



MOUNTING PANELS

ON GLUE

We start installing the panels after completing the installation of the lower row of kitchen cabinets and the worktop.

- 1 Apply a 2-3 mm layer of silicone where the decorative panels meet the kitchen worktop.
- 2 Apply the S-shaped glue to the first panel and place it on the silicone layer applied on the table top.

Attention!

The substrate should be smooth, non-sagging and degreased, ensuring the required adhesion of the glue. It is recommended to use the mounting glue offered by MELACO, or similar adhesives characterized by high pre-gluing strength. The glue should be used in accordance with the instructions in a room with efficient ventilation.

- 3 Place the panel with the glue on the countertop with a previously applied layer of silicone and press it against the wall.
- 4 We put glue on the remaining panels and put them on the worktop with a previously applied layer of silicone, paying attention to the 'click' connection.
- 5 If the finishing aluminum profile is used, it should be pressed under the cut edge of the panel, after securing the edge of the panel with transparent silicone.
- 6 After completing the assembly of the panels, fill in the silicone at the joint with the top, and then even out and remove excess silicone from the surface of the panels and the top. Clean and leave to dry for 24 hours.