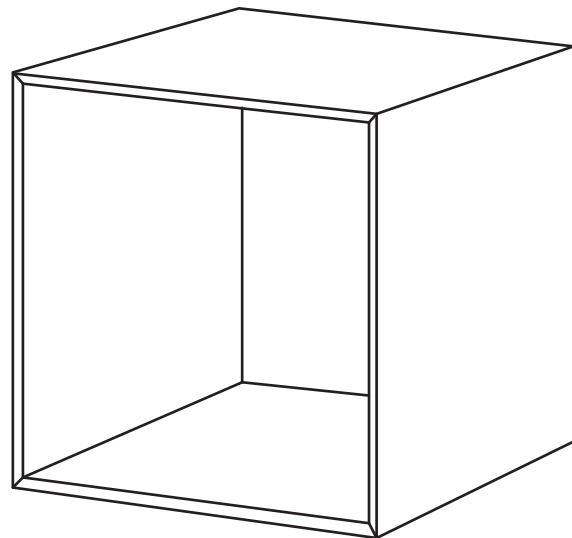
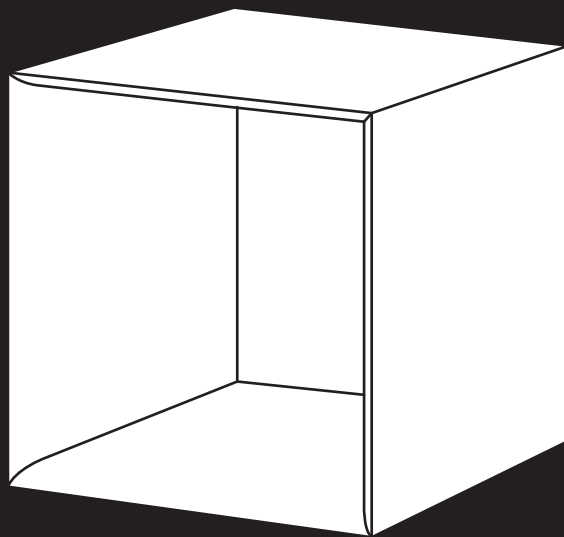


assembly instructions

HOME OFFICE SELECT MODULE
HOME OFFICE 4YOU MODULE

 melaco

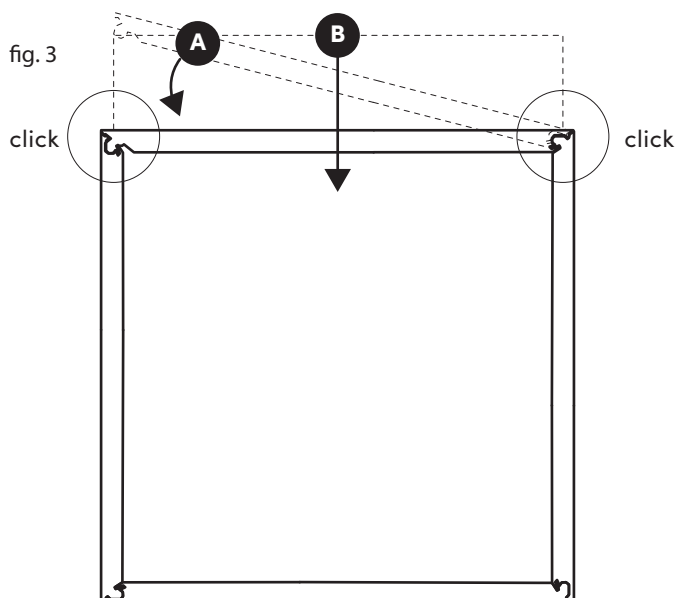
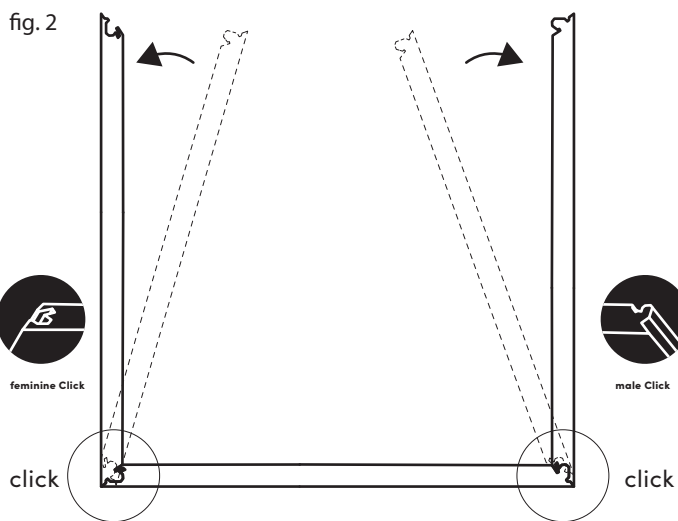
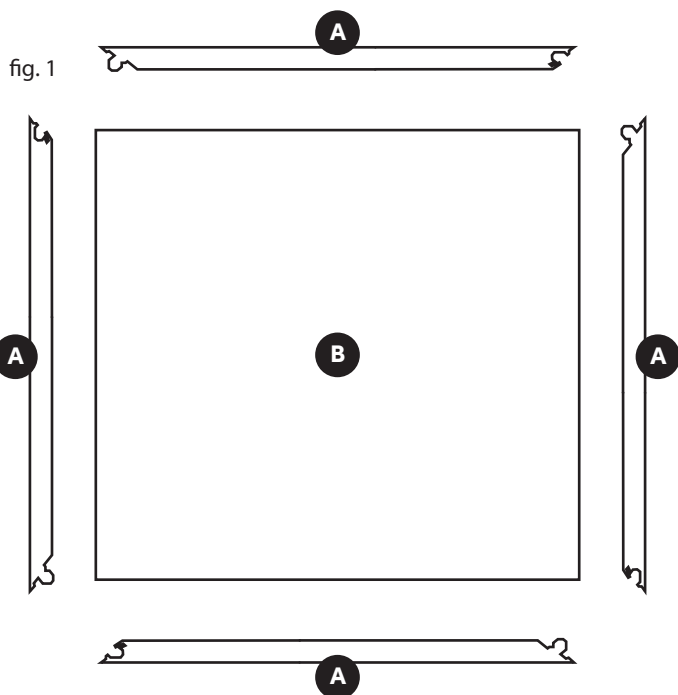


MELACO sp. z o.o.
ul. Ciepelowska 9,
67-100 Nowa Sól

office +48 68 38 792 08
sales +48 68 38 723 94

more info:
www.melaco.com.pl www.flickandclick.eu

melaco@melaco.com.pl



included

MODULE ELEMENTS

- A ▶ Four side walls
- B ▶ One rear wall

instruction

HOW TO ASSEMBLE A MODULE



Before starting the assembly, scan the code or go to the website www.flickandclick.eu and watch the instructional video.

The assembly does not require the use of tools.

- 1 Unpack the elements and sort them by dimensions (fig. 1).
- 2 Take any side of the cabinet. If there are elements of different length, we recommend that you start with the longer one.
- 3 Place the side on an even horizontal surface, with anti-scratch material first.
- 4 The element has a cut for the rear wall. Arrange it so that it is closer to you.
- 5 Take the next side of the cabinet, check where the cut is.
- 6 Make sure that the cut is on the same side as in the first element! Press the element gently to match the male click to the female click or vice versa (depending on the element in your hand).
- 7 You will hear a click when you fold it properly. This means that the elements have been connected.
- 8 If necessary, align the parts so that the leading edges meet evenly.
- 9 Take the other side and repeat the operation for the other side. You have received a U-shaped piece with a cut on one side (fig. 2).
- 10 Take the rear wall (B) and slide it into the cut so that the element surface is flush with the edge of the cabinet (fig. 3).
- 11 Time for the last side of the cabinet. First connect it on the male click side, making sure that the back wall fits into the cut (fig. 3).
- 12 The module is ready!